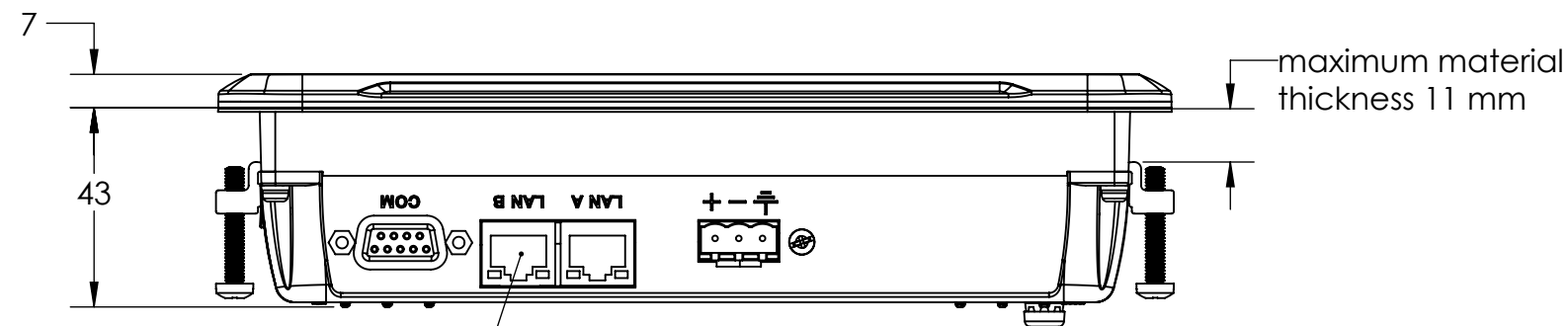
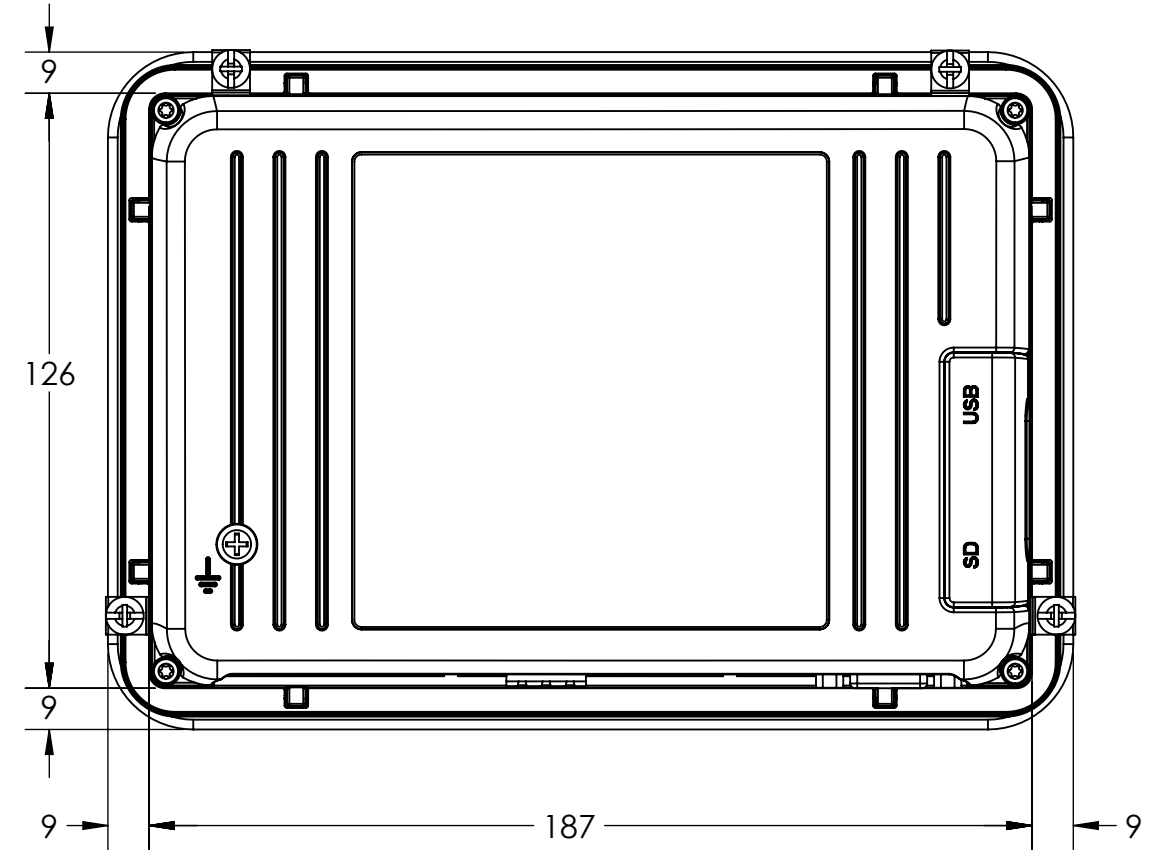
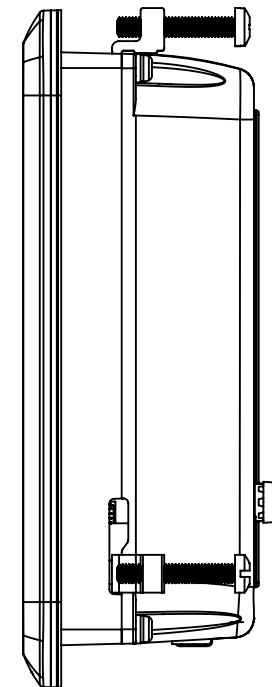
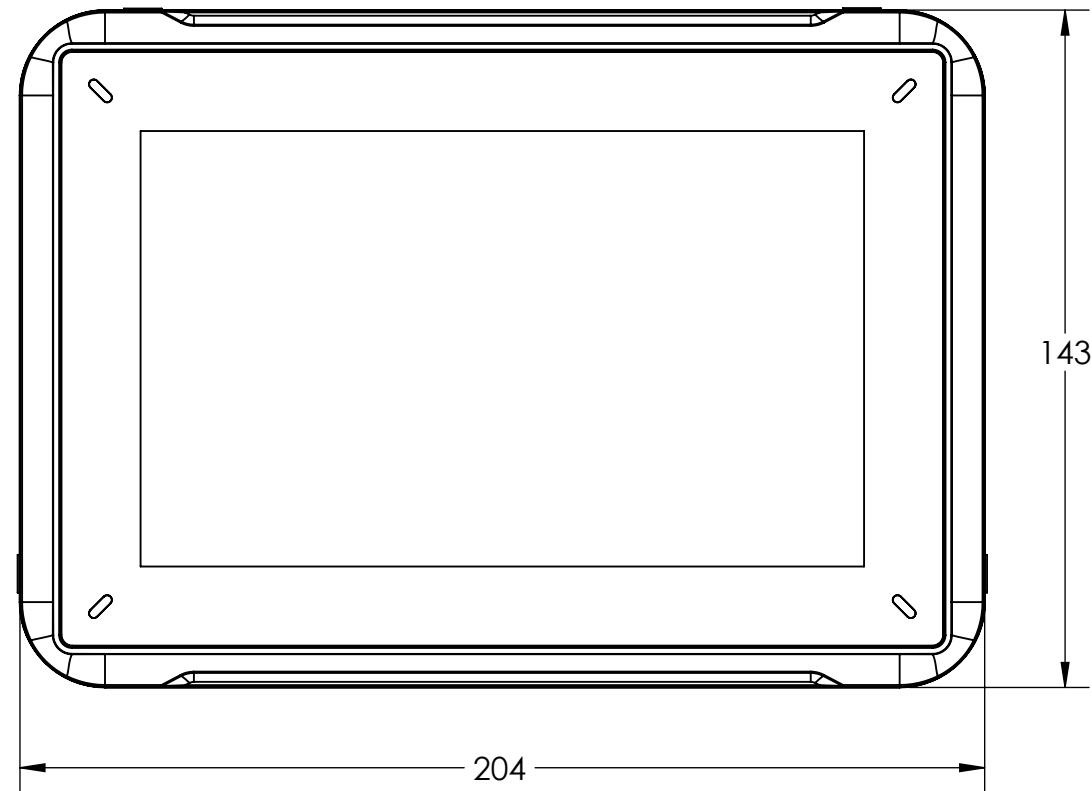
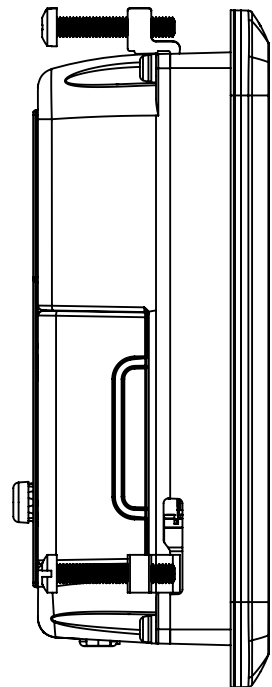
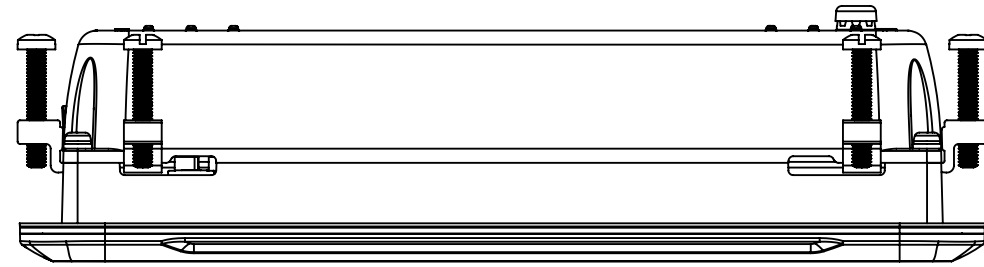


REV.	DESCRIPTION	ECODATE	ECO#
A	Initial release.	15 Jan 2016	NA



"LAN B" not included with X2 pro or X2 7-marine

FB REV 04

DRAWING GENERATED USING SOLIDWORKS  
 © Beijer Electronics Inc. all rights reserved. The contents of this document are confidential and proprietary. All copies of this document are the property of Beijer Electronics Inc. This document shall not be released to third parties, or used except as necessary for work performed by or for Beijer Electronics Inc.

<b>METRIC</b>	UNLESS OTHERWISE SPECIFIED DIMENSIONS ARE IN MILLIMETERS. <150 mm ± 0.13 mm >150 mm ± 0.25 mm ANGLES: ± 0.5°	 Beijer Electronics Inc. 1845 West 2100 South Salt Lake City, Utah 84119 • USA www.beijerelectronicsinc.com	Phone 801-466-8770 Fax 801-466-8792
THIRD ANGLE PROJECTION	ORIGINATOR: Nick Harper		TITLE: X2 pro 7-B2, X2 control 7-B2, X2 motion 7-B2, X2 marine 7-B2, X2 marine 7-B2 SC Outline Dimensions
 DIMENSIONS AND TOLERANCES PER ASME Y14.5M DO NOT SCALE DRAWING	ORIGINATION DATE: 15 Jan 2016	<b>B</b> DWG. NO. <b>DDOC-00002</b>	REV <b>A</b>
	APPROVAL:		